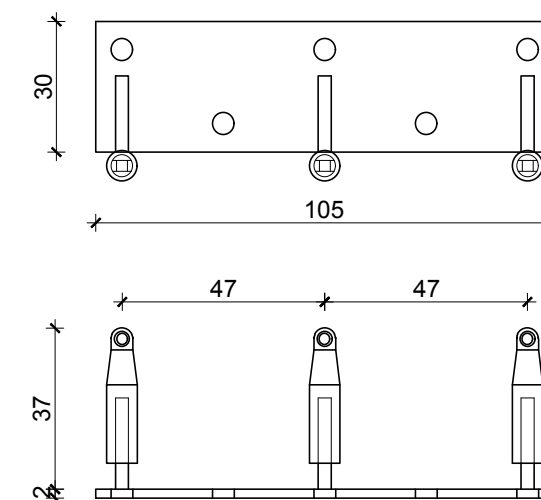


Name	Electrical System E-Pin. 3 pin
Function	The electrical birdcontrol system E-Pin prevents birds from roosting at protected areas. It consists of three parallel stainless steel wires. Through an electrical power supply, electricity is funneled into the system, which disperses birds like an electric fence. There is no danger for birds or human beings touching the system incidentally.
Components	<ul style="list-style-type: none"> <li>➢ Stainless steel pints on pipe, Wires, tension spring, wire connectors, screws, other materials for installation (screw anchors, nails)</li> <li>➢ Plastic knuckles</li> <li>➢ Stainless-steel clips</li> <li>➢ Connection sleeves 3x30 copper or stainless-steel</li> <li>➢ Insulation cable black</li> <li>➢ Generator</li> </ul>
Material	Stainless steel 1.4301 UV-protected polycarbonate
Width	25 mm
Protected area (depth)	100 mm (2 rows)
Electricity	6,700 V (system idle) 8,000 V (Maximum) 3,800 V at 500Ohm load
Installation	The electrical system is glued to the surface with a suitable glue or fixed directly to the vulve of the roof gutter with buttstraps. The generator must be connected by client to the power supply or can be supplied by an additional solar module. The generator and the poles are connected with high insulation cables. The power supply can be funneled into the system anywhere, a closed circuit is not necessary.
Accessories	Rain guard, Lightning Switch
Installation service	System control twice within the maintenance period.

	Accessories	Article-No :
1	Power Supply, 2-wire	E-0801
2	Surge Generator	E-0901
3	Digital System Tester	E-10
4	Warning Sign	E-1101
5	Rain Guard	E-12
6	Lightning Switch	E-13
7	Lightning Choke	E-14
8	Stainless Steel Wire	D-0601
9	Tension Spring, stainless steel	D-07
10	Eye Screw	D-0803
11	Wire connectors	N-2405



**Liability advise**

TONI-Products are long established and proven bird control products. However, TONI products can only work effectively as part of an overall and planned programme of bird control. This includes hygiene management and the use of professionally trained personnel. Without limitation, TONI Bird Control Solutions GmbH & Co. KG will not accept liability for any consequences as a result of poor equipment maintenance, misuse, inappropriate use, lack of operative training, failure of due diligence or through lack of prior project consultation. In some countries, the use of TONI products may require an official permit for building regulation or nature conservation. TONI will not accept liability for any consequences as a result of missing approvals.

TONI Bird Control Solutions GmbH & Co. KG  
 60599 Frankfurt / Germany  
 Tel. +49(0)69 4800 9779  
 Fax. +49(0)69 4800 9778  
 www.Birdcontrolsolutions.net

**Manufacturer: TONI Bird Control Solutions GmbH & Co. KG**

Product name: Electrical System E-Pin 3Pin		Drawing Scale :	
Done by	Name S. Ferenidis	Date 29.01.2016	Product-No: E-18